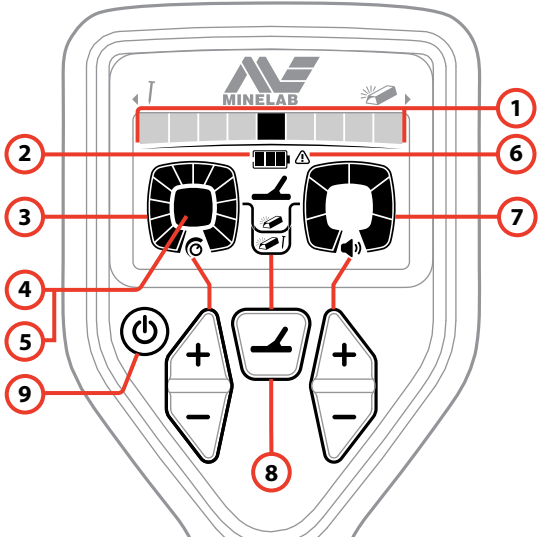




Getting Started Guide  
دليل بدء التشغيل  
Guia de Introdução  
Guide de prise en main

# GOLD MONSTER 1000

Control Panel لوحة التحكم Panneau de commande Painei de controle



**1**

Iron حديد Fer	Low gold chance احتمالية ذهب منخفضة	Faible probabilité d'Or Baixa possibilidade de ouro	Gold الذهب Or Ouro
	High gold chance احتمالية ذهب مرتفعة	Forte probabilité d'Or Alta possibilidade de ouro	

**8**

Gold (Iron Reject) ذهب (رفض الحديد)	Or (discrimination des ferreux) Ouro (Rejeição ao ferro)		
Deep All-Metal عميق كل المعادن	Profond Tous Métaux Todos os Metais Profundos		

**3** **4** **5**

**7**

- EN**
- Gold Chance Indicator
  - Battery Level
  - Sensitivity Adjust (1-10)
  - Auto Sensitivity (11)
  - Auto + Sensitivity (12)
  - Error Indicator
  - Volume Adjust (1-6)
  - Detect Mode
  - Power

- AR**
- مؤشر احتمالية الذهب
  - مستوى شحن البطارية
  - ضبط حساسية (1-10)
  - حساسية أوتوماتيكية (11)
  - حساسية + أوتوماتيكية (12)
  - مؤشر الأخطاء
  - ضبط شدة الصوت (1-6)
  - اسلوب الكشف
  - التشغيل

- FR**
- Indicateur de probabilité d'or
  - Niveau de charge batteries
  - Réglage de la sensibilité (1-10)
  - Sensibilité automatique (11)
  - Sensibilité + automatique (12)
  - Indicateur d'erreur
  - Réglage du volume (1-6)
  - Mode de détection
  - Marche/Arrêt

- PT**
- Indicador de Oportunidade de Ouro
  - Nível da bateria
  - Ajuste de sensibilidade (1-10)
  - Sensibilidade automática (11)
  - Sensibilidade + automática (12)
  - Indicador de erro
  - Ajuste do volume (1-6)
  - Modo de detecção
  - Ligar

Australia & Asia Pacific +61 8 8238 0888 minelab@minelab.com.au  
Europe & Russia +353 21 423 2352 minelab@minelab.ie  
Middle East & Africa +971 4 254 9995 minelab@minelab.ae  
North, South & Central America +1 630 401 8150 info@minelabamericas.com

**WARANTY TERMS**  
This product has a 2 year limited warranty from the time of purchase. Please refer to [www.minelab.com](http://www.minelab.com) for further warranty information. Register this product online at [register.minelab.com](http://register.minelab.com) on the date of purchase.  
Ce produit est garanti de 2 ans à partir de la date de son achat. Pour plus d'informations sur la garantie, veuillez consulter le site [www.minelab.com](http://www.minelab.com). Enregistrez ce produit en ligne sur le site [register.minelab.com](http://register.minelab.com) à la date de votre achat.  
Este produto tem um limite de garantia de 2 anos a partir da data de sua compra. Consulte em [www.minelab.com](http://www.minelab.com) para obter maiores informações sobre a garantia. Registre este produto online em [register.minelab.com](http://register.minelab.com) na data de sua compra.  
Imágenes and graphics shown are for illustration purposes only; product configuration and specifications may vary from those shown. | Minelab® and GOLD MONSTER 1000® are trademarks of Minelab Electronics Pty Ltd.

**COMPLIANCE**  
Information to the User (FCC Part 15, 105)  
NOTE: Class B Devices  
This equipment has been tested and found to comply with the limits for a Class B digital device, pursuant to part 15 of the FCC Rules. These limits are designed to provide reasonable protection against harmful interference in a residential installation.  
This equipment generates, uses and can radiate radio frequency energy and, if not installed and used in accordance with the instructions, may cause harmful interference to radio communications. However, there is no guarantee that interference will not occur in a particular installation. If this equipment does cause harmful interference to radio or television reception, which can be determined by turning the equipment off and on, the user is encouraged to try to correct the interference by one or more of the following measures:  
• Reorient or relocate the receiving antenna  
• Increase the separation between the equipment and receiver  
• Connect the equipment into an outlet on a circuit different from that to which the receiver is connected  
• Consult the dealer or an experienced radio/TV technician for help  
WARNING: Any changes or modifications not expressly approved by Minelab Electronics could void the user's authority to operate this equipment.  
4901-0226-3

## Factory Reset إعادة ضبط المصنع Re-initialiser les réglages d'usine Configurar de Fábrica

## Quick Start التشغيل السريع Démarrage rapide Início rápido

**1**  
Turn On  
شغل الجهاز  
Mise en route  
Ligar

**2**  
Auto noise cancel  
الإلغاء الأوتوماتيكي للضوضاء  
Élimination automatique des interférences  
Cancelamento de ruído automático

(≈ 10 s)

**3**  
Begin gold detecting  
إبدء البحث عن الذهب  
Commencer à détecter de l'or  
Iniciar a detecção de ouro

# Assembly

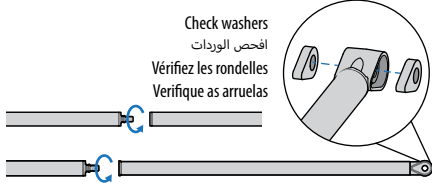
# التجميع

# Montage

# Montagem

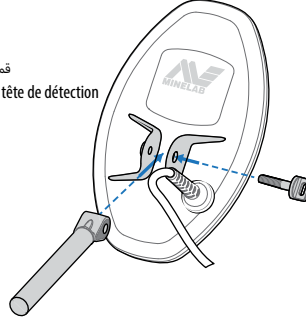
**1**

Screw mid, lower & upper shafts together  
اربط القضيب الأوسط والسفلي والعلوي سوياً  
Vissez les manches inférieur, intermédiaire et supérieur ensemble  
Aparafuse as hastas intermediária, inferior e superior juntas



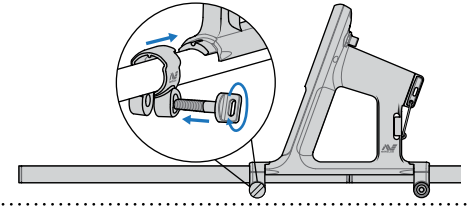
**2**

Attach lower shaft to coil  
قم بتثبيت القضيب السفلي في الملف  
Reliez le manche inférieur à la tête de détection  
Fixe a haste na bobina



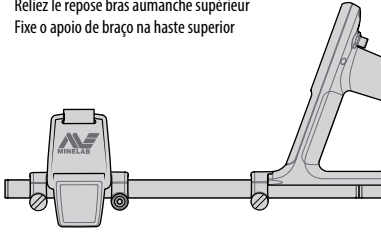
**3**

Attach control box to upper shaft  
قم بتثبيت صندوق التحكم في القضيب العلوي  
Reliez le boîtier de commande au manche supérieur  
Fixe a caixa de controle na haste superior



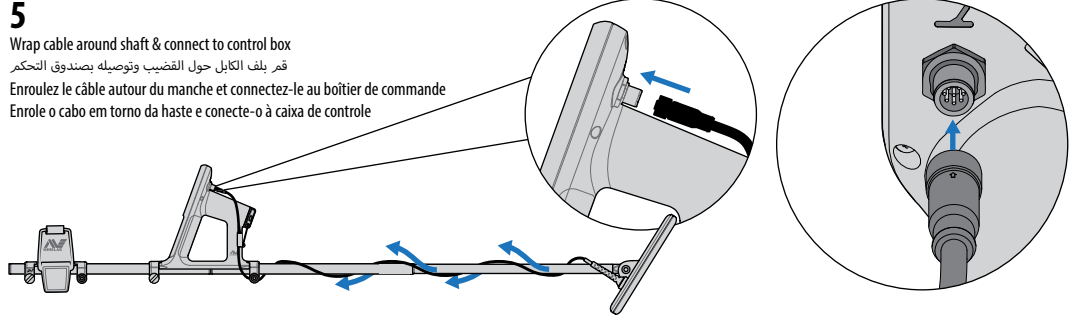
**4**

Attach armrest to upper shaft  
قم بتثبيت مسند الذراع في القضيب العلوي  
Reliez le repose bras aumanche supérieur  
Fixe o apoio de braço na haste superior



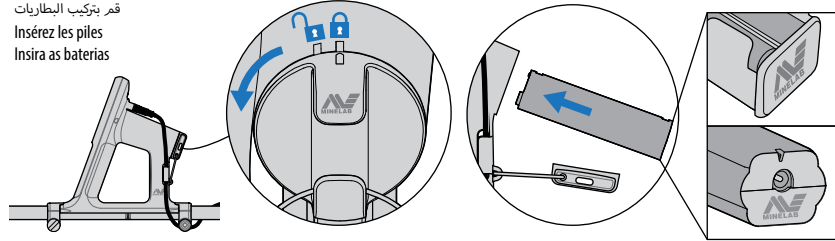
**5**

Wrap cable around shaft & connect to control box  
قم بلف الكابل حول القضيب وتوصيله بصندوق التحكم  
Enroulez le câble autour du manche et connectez-le au boîtier de commande  
Enrole o cabo em torno da haste e conecte-o à caixa de controle

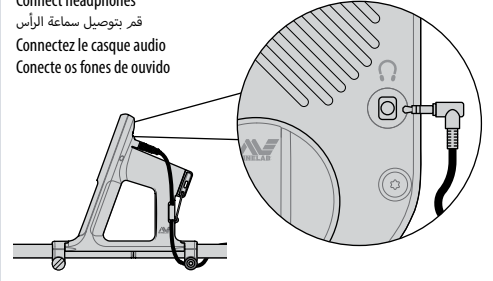


**6**

Insert batteries  
قم بتثبيت البطاريات  
Insérez les piles  
Insira as baterias



Connect headphones  
قم بتوصيل سماعة الرأس  
Connectez le casque audio  
Conecte os fones de ouvido



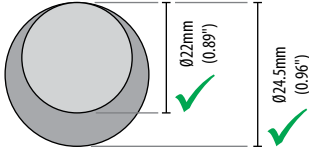
## Universal Shaft Adaptor Embout de manche universel

## وصلة عصي الحمل الشاملة Adaptador Universal da Haste

## Detecting Basics Fondamentaux de la détection

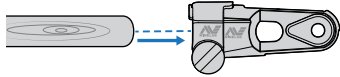
## مبادئ الكشف عن المعادن Detecção Básica

Alternative plastic shaft or broomstick  
قضيب بلاستيكي بديل أو عصا مكنسة  
Possibilité de manche en plastique ou de manche à balai  
Haste de plástico opcional ou cabo de madeira

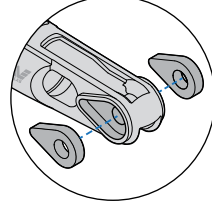


**1**

Insert shaft into yoke  
ركب القضيب في القارية  
Insérez la manche dans l'embout  
Insira a haste no encaixe



Check washers  
افحص الوردات  
Vérifiez les rondelles  
Verifique as aruelas



**2**

Follow steps 2-6 of Assembly  
اتبع الخطوات 2-6 من خطوات التجميع  
Suivez les étapes 2 à 6 du montage  
Siga as etapas de 2 a 6 para a Montagem



## Battery Charging Chargement des batteries

## شحن البطارية Carregar a bateria

