

TEKNETICS®

Tek-Point

METAL DETECTING PINPOINTER

OWNER'S MANUAL



Do not use "ZINC-CARBON" or "HEAVY DUTY" batteries

Tek-Point features	4
Quick Start Guide.....	5-6
Batteries	
Low-Battery Warning.....	7
Waterproof Design	8
Operation	
On and Off	9
LED Flashlight.....	9
Program the Alarm-type & Sensitivity-level	10-11
Re-Tune	12
Ground-Mineral Calibration.....	12-13
Frequency Shifting.....	14-15
Overload	16
Re-Boot.....	16
Lost Mode	16
Tips on How to Use Pinpointer	17
Specifications	17
Trouble Shooting	18
Warranty.....	Back page

Congratulations on the purchase of your new Tek-Point Pinpointer.

The Tek-Point was designed to be the best-performing pinpointing probe on the market, answering the call from treasure hunters who demand a robust, modern design and a probe that maintains high sensitivity in the most demanding environments.

The Tek-Point is a waterproof, pulse induction detector. An advanced pulse induction design allows the Tek-Point to operate in environments where other pinpointers fall short. Whether in heavily mineralized soils or saltwater, this pinpointer goes deeper and guarantees stable operation where competitive products false or lose sensitivity.

Throw away your 9-volt batteries folks. Welcome to the 21st century!

Tek-Point is ergonomic and features easy-to-use one-button operation. It was designed by treasure hunters to take your treasure hunting performance to the next level.

Tek-Point

Your Tek-Point pinpointer offers many great features:

Function:

- Single-Button Operation
- Adjustable Sensitivity
- Rapid Retune
- Lost Alarm Feature

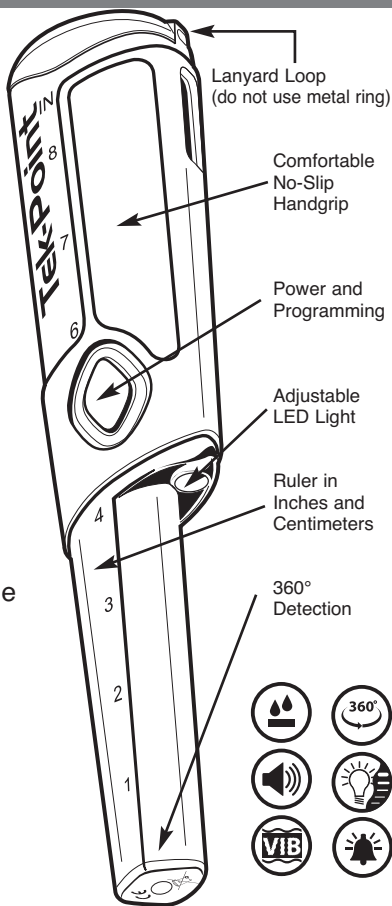
Performance:

- 360-degree Detection
- Waterproof to 6 feet
- High Sensitivity
- Automatic Ground Calibration

Extras:

- Ruler (*inches and CM*)
- LED Flashlight, Adjustable & Super-bright
- Auto Shutdown
- Molded Lanyard Loop

**CONSTRUCTED FROM
SPECIAL ABRASION-
RESISTANT MATERIALS**
(won't wear through
like other pinpointers)



QUICK START:**Power on/off:**

Power On: Quick-Press (press-and-release button, quickly)

- Hear beep and vibrate, indicating ready to detect.
- Wait for ready indication before presenting pinpointer to metal. If metal is near pinpointer before ready indication, pinpointer will overload (not detect) or operate at reduced sensitivity (see Overload p.16). Press button to exit overload.

Power Off: Press-and-Hold the button.

- Release the button when you hear the BEEP. Pinpointer is off.

Programming Alarm and Sensitivity:

1. Start with power on.
2. Press-and-hold button. Do not release the button at the first alarm (Power-down-alarm).
3. Following the power-down-alarm, hear the programming alarm: JINGLE-JINGLE-JINGLE.
4. Release button when you hear JINGLE-JINGLE-JINGLE; device is now in programming mode.
5. Each press of the button will advance to a different setting.
6. Each setting is indicated with beep(s), vibration(s) or both.
7. To choose a program, stop pressing the button at the desired setting. Ready to hunt.

Ground-Mineral Calibration:

1. With Power on, touch the tip of probe to the soil.
2. Quickly press-and-release the button.
3. Hear beep, confirming calibration is complete.

LED Flashlight:

1. Start with power off.
2. Press-and-hold button. Continue to hold. Light will turn on and flash.
3. Continue to press-and-hold button.
 - As long as you continue to hold the button, the Pinpointer will cycle through various brightness settings.
 - At the brightest setting, the light will flash.
4. Release the button at your desired level of illumination.
 - Alarm will confirm program is set (beep, vibrate or both).
5. Device is powered on; ready to hunt.

Frequency Shift: (To eliminate interference with detector)

1. Turn Pinpointer power off.
2. Turn your detector on.
3. Turn Pinpointer on.
4. Press-and-hold button. Do not release the button at the first alarm (Power-down-alarm) or programming alarm (JINGLE-JINGLE-JINGLE).
5. Release the button when you hear the double tone-roll.
6. Device is now in frequency-shift mode.

Each press-and-release will change the frequency of the pinpointer; a short beep confirms this action.

There are 16 different frequencies to choose from. A double-beep means you've cycled through all 16 frequencies; continue to press-and-release to continue cycling through frequencies.

7. When you reach the desired frequency your pinpointer will not interfere with your detector.
8. At this point do not press the button again; the pinpointer will alarm, indicating programming is complete and that the device is ready to hunt.

Re-Boot: If pinpointer becomes unresponsive or locks-up, perform re-boot sequence:

1. Remove the battery door (to break battery contact).
2. Replace battery door. Power on to resume operation.

BATTERIES:

The Tek-Point operates on 2 AA alkaline, lithium or nickel-metal hydride batteries (not included). You can also use high quality rechargeable batteries. Expect approximately 25 hours of operation from alkaline batteries.

Do not use “Zinc-carbon” or “Heavy-duty” batteries.

To replace batteries:

1. Use a coin or flathead screwdriver.
2. Rotate counterclockwise to remove cap.
3. Install 2 AA batteries, positive-side down.
4. Rotate clockwise until snug to close and seal.

The battery compartment was designed to provide a snug fit for the batteries. If you experience difficulties in removing your batteries, tap the pinpointer against the palm of your opposite hand to help dislodge the batteries.

Low-Battery Warning:

If your batteries are running low and need to be replaced, you will hear a *boop-boop-boop* sound at power-down.

Critical Low-Battery:

If the batteries are totally spent, you'll hear a *boooooop* sound and the pinpointer will then turn itself off.

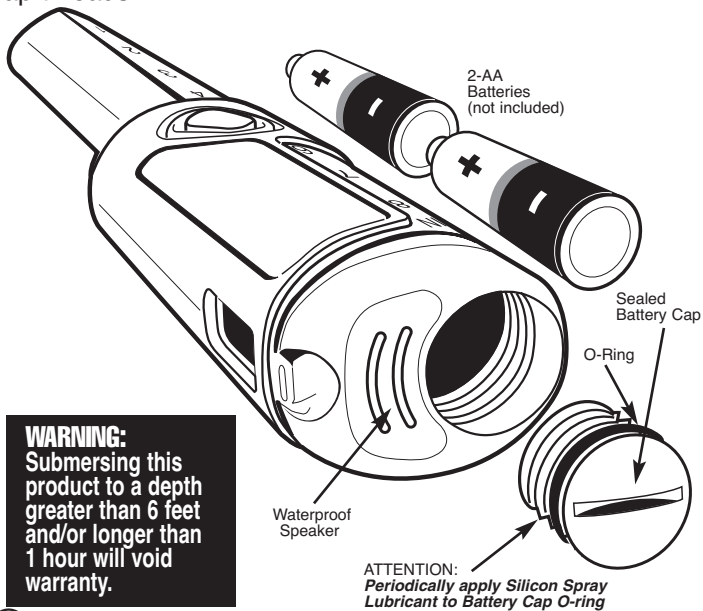
Waterproof Design:

The Tek-Point is waterproof to a depth of 6 feet for 1 hour. The rubber O-ring around the battery cap is vital to maintaining a waterproof seal. You must periodically apply a silicon spray lubricant to the o-ring to maintain a watertight seal.

IMPORTANT:

Check the O-ring.

Make sure there is no debris on the O-ring or in the battery cap threads.



On and Off (tones described are at factory-default settings)

Power On: Quick-Press (press and release the button, quickly)

- Tek-Point will beep and vibrate
- Tek-Point is ready to detect.

Power Off: Press-and-Hold the button.

- As soon as you hear the BEEP, release the button.
- The Tek-Point is off.

If you program the target-alarm to your own custom setting, your programmed target-alarm will also be the indication you hear, or feel, at power-on and power-off. For example: if you program the target alarm to vibrate, the pinpointer will vibrate at power-on and power-off.

CAUTION: Do not power-on close to any metal. See page 16, Overload section.

LED Flashlight

To adjust light illumination level:

1. Start with **power off**.
2. **Press-and-Hold** the button.
Continue to hold. Light will turn on and flash.
3. Continue to press-and-hold the button and observe the different levels of brightness.
 - As long as you continue to hold the button, the Tek-Point will cycle from **Off, to Bright, then Brighter and Brightest**.
 - At the brightest setting, the light will flash.
 - The cycle will continue and repeat until you release the button.
4. **Release the button** at your desired level of illumination.
 - Alarm will confirm program is set (beep, vibrate or both).
5. Device is powered on and ready to hunt.
6. Your programmed level of illumination will be saved to memory, even after power-off and after changing batteries.

Programming: Alarm and Sensitivity

The Tek-Point target alert can be *audible, vibratory or both*. There are three different sensitivity levels: *low, medium and high*.

Default settings:

The default settings for this pinpointer are:

- LED: 70% brightness
- Alarm: Beep and vibrate
- Sensitivity: Medium

To program the alarm-type and sensitivity-level:

1. Start with **power on**.
2. **Press-and-Hold** the button.
Do not release the button at the first alarm (beep or vibrate). If you release the button at the first alarm, the device will turn off.
3. Following the power-down-alarm, hear the programming-alarm: JINGLE-JINGLE-JINGLE.
4. **Release the button** when you hear **JINGLE-JINGLE-JINGLE**. The device is now in programming mode.
5. **Press-and-release** the button **to change settings**.
Each press of the button will advance to a different setting. Each setting is indicated with beep(s), vibration(s) or both.
6. To choose a program, stop pressing the button at the desired setting. Setting is stored after 3 seconds without button press.
7. The device will confirm your setting with beep, vibrate or both.
8. Device is now ready to hunt.

There are 9 different program settings:

Sensitivity	Detection Alert	Programming Feedback
Low	Audible	1 beep
Medium	Audible	2 beeps
High	Audible	3 beeps
Low	Vibrate	1 vibrate
Medium	Vibrate	2 vibrates
High	Vibrate	3 vibrates
Low	Audible + Vibrate	1 beep + 1 vibrate
Medium	Audible + Vibrate	2 beeps + 2 vibrates
High	Audible + Vibrate	3 beeps + 3 vibrates

Re-Tune

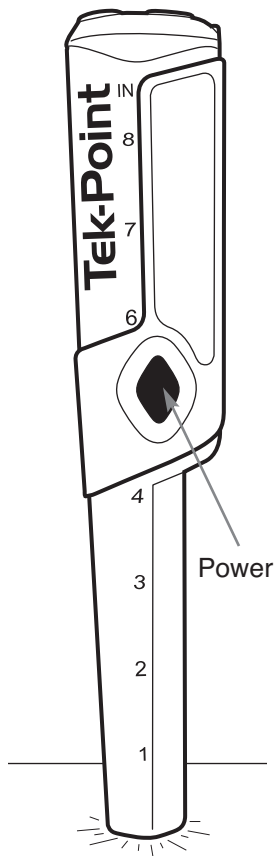
If at any time during operation the Tek-Point alarms irregularly or loses sensitivity, quickly press-and-release the button. This Rapid Re-Tune will return your pinpointer to stable operation.

Ground-Mineral Calibration

Calibrate the Tek-Point to operate in mineralized ground or saltwater.

Calibration Procedure:

1. Start with power on.
2. Touch the tip of the probe to the soil, or submerge into the water.
3. *Quickly* press-and-release the button.
4. Tek-Point is silent and ready to detect.



As a result of the Tek-Point's extreme sensitivity, you may encounter ground mineralization conditions that require an alternate calibration method. If the pinpointer "falses", or beeps erratically, when touched to the ground you may want to turn it on *after* touching it to the ground.

Alternate Calibration Procedure:

1. Start with power OFF.
2. Touch the tip of the probe to the soil.
3. Quickly press-and-release the button to turn power ON.
4. Pinpointer is silent and ready to detect.

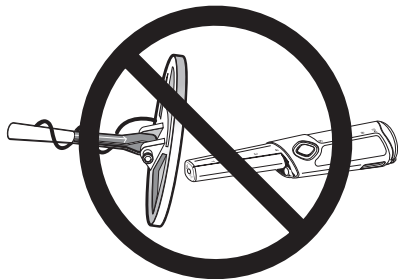
Caution: If you turn on the Tek-Point in close proximity to a metal target in the ground, you may desensitize it, or put it into overload. If using this alternate ground calibration method, be sure to touch the tip to the ground *away from* your target.

Interference (Frequency Shifting)

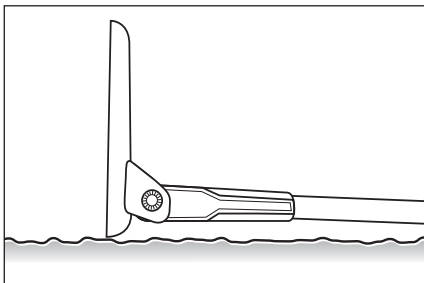
All metal detectors operate at different frequencies. It's these different frequencies that make certain detectors better at detecting certain targets. The Tek-Point is designed to work with the different frequencies of various detectors, and to enable the user to calibrate the Tek-Point to a frequency that eliminates (or minimizes) interference with your detector.

The factory default setting of the Tek-Point may interfere with your metal detector, causing it or your pinpointer to beep irregularly.

A pinpointer is most likely to interfere with your metal detector when pointed into the horizontal plane of the searchcoil.



To minimize interference while probing the ground, lay the metal detector down with the searchcoil perpendicular to the ground.



To shift Tek-Point operating frequency:

1. **Turn off** the Tek-Point.
2. Turn on your metal detector and set the sensitivity to a level at which it is stable (no irregular beeping).
3. **Quick-Press** to turn Tek-Point power on. (*Your metal detector may start beeping*).
4. **Press-and-Hold** the button.
Do not release the button at the first alarm (beep or vibrate). Following the power-down-alarm, hear the programming-alarm: TELEPHONE-RING.
Do not release the button at the programming alarm; **continue to hold the button**.
5. **Release the button when you hear the DOUBLE TONE-ROLL.**
The device is now in frequency-shift mode.
 - Each time you press-and-release the button, you'll hear a *short-beep*.
 - The *short-beep* means the frequency has changed.
 - There are 16 different frequency settings.
 - If you cycle through all 16 frequencies, you'll hear a *double-beep*. You can cycle through all of the frequency selections again if you continue to press-and-release.
6. When you reach the desired frequency, your metal detector will stop beeping. **Stop pressing the button.**
7. The pinpointer will alarm one final time after your programming is complete.
8. Ready to hunt. The Tek-Point will retain this programmed frequency setting.

Overload

The Tek-Point must not be near metal during power-on (approximately one second). If you power it on in close proximity to a metal object, it will enter Overload Mode.

If in Overload Mode, the following will happen:

1. Hear audio alert: BEE-BOO BEE-BOO BEE-BOO.
2. LED light flashes continuously.
3. Pinpointer will not detect metal.

To exit Overload Mode:

1. Move it away from metal.
2. Quickly press-and-release the button.
3. Pinpointer will alarm and LED stops flashing.
4. Ready to detect.

Re-Boot

If your pinpointer becomes unresponsive and/or locks up, and any sequence of button presses does not return it to normal operation, it's time to re-boot.

1. Remove the battery door to break battery contact.
2. Replace battery door and resume operation.

Lost Mode and Auto Shutoff

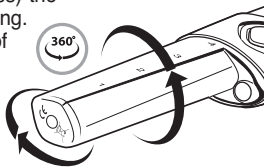
If the Tek-Point is left powered on with no button presses for 5 minutes, it will enter Lost Mode. The unit enters a low-power setting, the LED flashes and the unit beeps every 15 seconds. After 10 minutes, the unit will completely power down.

TIPS ON HOW TO USE PINPOINTER:

The Tek-Point is a powerful tool that will drastically reduce the time you spend recovering buried objects while metal detecting.

If the target is close to the surface (3 inches or less) the Tek-Point can detect the buried target prior to digging. Detection from the surface can decrease the size of the plug you dig, causing less damage to the sod.

The detection area on the Tek-Point is 360° along the tip and barrel of the probe. For precise pinpointing, use the tip of the probe. For larger areas use a flat side-scan technique passing the length of the barrel over the surface to cover a larger area.



The Tek-Point will detect all kinds of metal including ferrous and non-ferrous metals. The target alert (audio or vibratory) is proportional, meaning the intensity of the alert will increase as you get closer to the target.

SPECIFICATIONS:

Technology:	Pulse Induction, bipolar, fully static	
Pulse rate:	2500pps, 4% offset adjust	
Sample delay:	15us	
Response:	Audio and/or vibratory	
Sensitivity levels:	3	
LED levels:	20	
Overall size (WxDxH):	240mm x 45mm x 35mm	
Weight:	180g	
Humidity range:	4% to 100% R.H.	
Temperature range:	0°C to +60°C	
Volume SPL spec:	Maximum SPL = 70dB @ 10cm	
Waterproof:	6 feet for 1 hour	
Electrical Rating:	3V $\bar{\bar{=}}$ 100mA	
Batteries:	(2) AA	
Battery life:	Alkaline	25 hrs
	NiMH rechargeable	15 hrs
	Lithium	50 hrs

TROUBLE SHOOTING

Problem	Solution
1. Short battery life.	<ul style="list-style-type: none">• Use high-quality batteries.• Do not use zinc-carbon or “heavy-duty” batteries.
2. Pinpointer does not power-up.	<ul style="list-style-type: none">• Check battery polarity (+ terminal down)• Check batteries.
3. LED light is flashing. - Pinpointer is in overload mode.	<ul style="list-style-type: none">• Move away from metal.• Then quick-press button.
4. Pinpointer does not respond to button presses and/or does not detect.	<ul style="list-style-type: none">• Remove battery cap and reinstall.
5. Pinpointer beeps erratically/falses in the air.	<ul style="list-style-type: none">• Hold away from metal.• Then quick-press button.
6. Pinpointer beeps erratically when in contact with the ground.	<ul style="list-style-type: none">• Quick-press button to calibrate pinpointer to soil.• See pp. 12 & 13 for ground calibration procedures
7. Pinpointer or metal detector interfere with one another.	<ul style="list-style-type: none">• Shift pinpointer frequency.• See p.14 of manual.

NOTICE TO CUSTOMERS OUTSIDE THE U.S.A.

This warranty may vary in other countries; check with your distributor for details. Warranty does not cover shipping costs.

This device complies with Part 15 of the FCC Rules. Operation is subject to the following two conditions: (1) this device may not cause harmful interference, and (2) this device must accept any interference received, including interference that may cause undesired operation.

According to FCC part 15.21 changes or modifications made to this device not expressly approved by First Texas Products, LLC. could void the user's authority to operate this equipment.

Note: This equipment has been tested and found to comply with the limits for a Class B digital device, pursuant to part 15 of the FCC Rules. These limits are designed to provide reasonable protection against harmful interference in a residential installation. This equipment generates, uses and can radiate radio frequency energy and, if not installed and used in accordance with the instructions, may cause harmful interference to radio communications. However, there is no guarantee that interference will not occur in a particular installation. If this equipment does cause harmful interference to radio or television reception, which can be determined by turning the equipment off and on, the user is encouraged to try to correct the interference by one or more of the following measures:

- Reorient or relocate the receiving antenna.
- Increase the separation between the equipment and receiver.
- Connect the equipment into an outlet on a circuit different from that to which the receiver is connected.
- Consult the dealer or an experienced radio/TV technician for help.

This device complies with Industry Canada license-exempt RSS standard(s). Operation is subject to the following two conditions: (1) this device may not cause interference, and (2) this device must accept any interference, including interference that may cause undesired operation of the device.

Le présent appareil est conforme aux CNR d'Industrie Canada applicables aux appareils radio exempts de licence. L'exploitation est autorisée aux deux conditions suivantes : (1) l'appareil ne doit pas produire de brouillage, et (2) l'appareil doit accepter tout brouillage radioélectrique subi, même si le brouillage est susceptible d'en compromettre le fonctionnement.

www.tekneticsdirect.com

Made in USA from USA and imported parts



RoHS

WARRANTY:



This product is warranted against defects in materials and workmanship under normal use for **two years** from the date of purchase by the original owner. Liability in all events is limited to the purchase price paid. Liability under this warranty is limited to replacement or repair, at our option, of the product returned, shipping cost prepaid, to First Texas Products, L.L.C. Damage due to neglect, accidental damage, misuse of this product or normal wear and tear is not covered by the warranty.

To see the instructional video visit:

Website:

<https://www.tekneticsdirect.com/accessories/tek-point>

YouTube:

<https://www.youtube.com/user/TekneticsT2>

Direct Link:

<https://www.youtube.com/watch?v=gi2AC8aAyFc>

WARNING: Submersing this product to a depth greater than 6 feet and/or longer than 1 hour will void warranty.

FIRST TEXAS PRODUCTS, LLC
1120 Alza Drive, El Paso, TX 79907
Tel. 1-800-413-4131